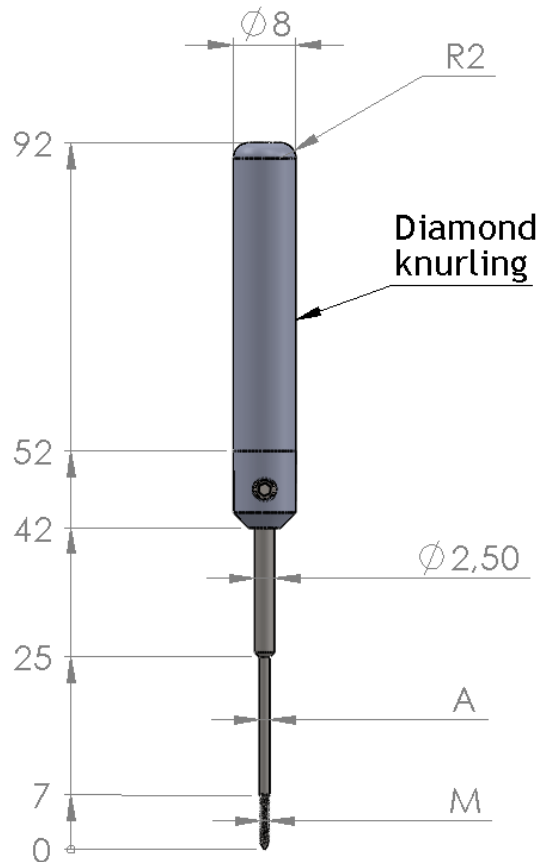




Tools for Broken Test Probes

Edition 1.2

Broken Probe Extraction Tools (BPET)



Complete Tool	BIT	Handle	A	M
IGL-TL-BPET-102	BIT-BPET-102	H-BPET-2.6	0,95	M0,9 (LH)
IGL-TL-BPET-135	BIT-BPET-135	H-BPET-2.6	1,30	M1,2 (LH)
IGL-TL-BPET-165	BIT-BPET-165	H-BPET-2.6	1,60	M1,5 (LH)
IGL-TL-BPET-265	BIT-BPET-265	H-BPET-2.6	2,60	M2,5 (LH)

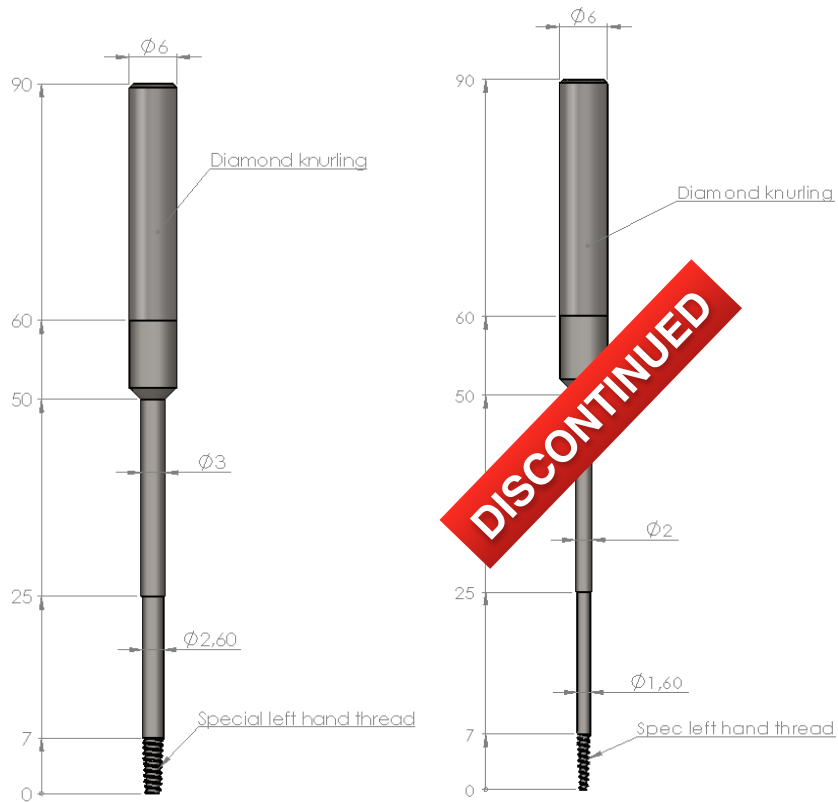
Compatibility examples - tools can be used with more series!

Complete Tool	ECT	FM	Fixtest	Ingun	PTR	QA
IGL-TL-BPET-102	LFRE1	F075	series75	GKS075	series 1012	075-25
IGL-TL-BPET-135	LFRE25	F100	series 100	GKS100	series 1025	100-25
IGL-TL-BPET-165	TSC025	F772	series 30	GKS112	series 2021	-
IGL-TL-BPET-265	TSC157	F773	series 50	GKS113	series 1060	-

Our economic BPET tools are developed for easy removal of broken test probes from receptacles. The tool consists of an exchangeable bit and handle for economic use.

Insert the tool into the receptacle and turn it counter clockwise until it “grips” the barrel of the probe. The special left handed thread applied on the BIT ensures an easy removal of the barrel from the receptacle.

Broken Probe Extraction Tools - Automotive Application



Compatibility examples - tools can be used with more series!

Complete Tool	ECT	FM	Fixtest	Ingun	PTR
IGL-TL-EX1	TSC025	F732	series 71	GKS112M	series 1021/G
IGL-TL-EX14	TSC157	F733	series 72	GKS113M	series 1060/G

Contact us:

Igla Trade Kft.
Ady Endre u. 48
H-1174 Budapest
HUNGARY
info@iglatrade.com

Igla Trade Sp. z o.o.
ul. Pilotów 61/3
31-462 Kraków
POLAND
infopl@iglatrade.com

S.C. Igla Trade S.R.L.
General Magheru No. 23 Floow 4th room 41-42
410057 Oradea
ROMANIA
inforo@iglatrade.com

... visit us at www.iglatrade.com