

Series 127

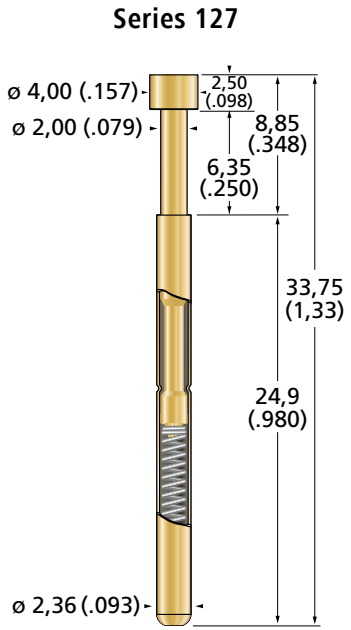
Technical Data

Overall Length	33,75 mm
Minimum Centre Spacing	4,00 mm
Maximum Travel	6,35 mm
Working Travel	4,20 mm
Temperature Range from	-55°C
Up to	+120°C
Typical Resistance	10 mΩ
Current Load rated/max.	15,0 / 25,0 A

Materials

Plunger	CuBe hardened, gold plated
Barrel	Cu-alloy, gold plated
Spring	Music wire, silver plated

In the outer dimensions equal to the Series 27, but due to the different surface coatings more durable in high current use.
Receptacles see page 37.



Spring Force (xx)

Preload	Rated Force	Code xx
0,8 N	1,9 N	19
0,8 N	3,0 N	30
1,5 N	5,0 N	50

	Ø 4,00	127.03.40.xx
	Ø 4,00	127.04.40.xx
	Ø 3,00	127.08.30.xx
	Ø 4,00	127.08.40.xx
	Ø 4,00	127.15.40.xx

For **XXLonglife-Nanocoating** order as 127X

Series 128

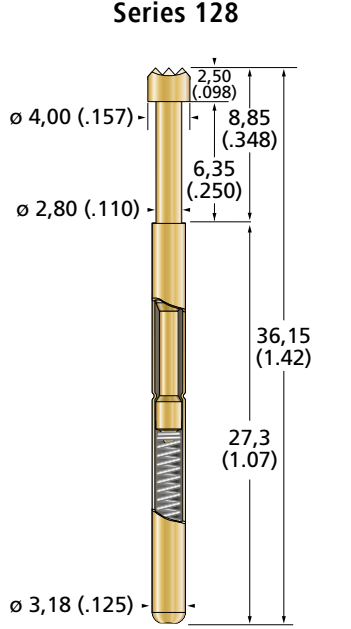
Technical Data

Overall Length	36,15 mm
Minimum Centre Spacing	4,75 mm
Maximum Travel	6,35 mm
Working Travel	4,20 mm
Temperature Range from	-55°C
Up to	+120°C
Typical Resistance	10 mΩ
Current Load rated/max.	15,0 / 30,0 A

Materials

Plunger	CuBe hardened, gold plated
Barrel	Cu-alloy, gold plated
Spring	Stainless steel / Music wire, silver plated

In the outer dimensions equal to the Series 28, but due to the different surface coatings more durable in high current use.
Receptacles see page 38.



Spring Force (xx)

Preload	Rated Force	Code xx
0,8 N	1,9 N	19
0,8 N	2,3 N	23
1,5 N	4,0 N	40

	Ø 2,80	128.02.28.xx
	Ø 2,80	128.03.28.xx
	Ø 4,00	128.03.40.xx
	Ø 4,00	128.04.40.xx
	Ø 2,00	128.05.20.xx
	Ø 4,00	128.05.40.xx
	Ø 2,80	128.08.28.xx
	Ø 4,00	128.08.40.xx
	Ø 4,00	128.15.40.xx

For **XXLonglife-Nanocoating** order as 128X