



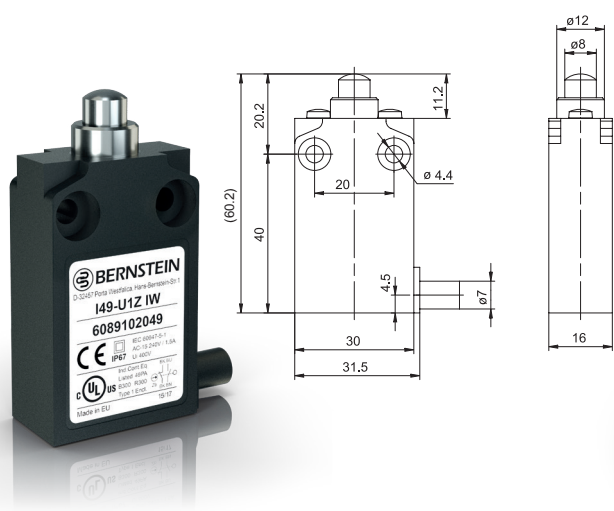
BERNSTEIN

Double Insulated Position Switch I49

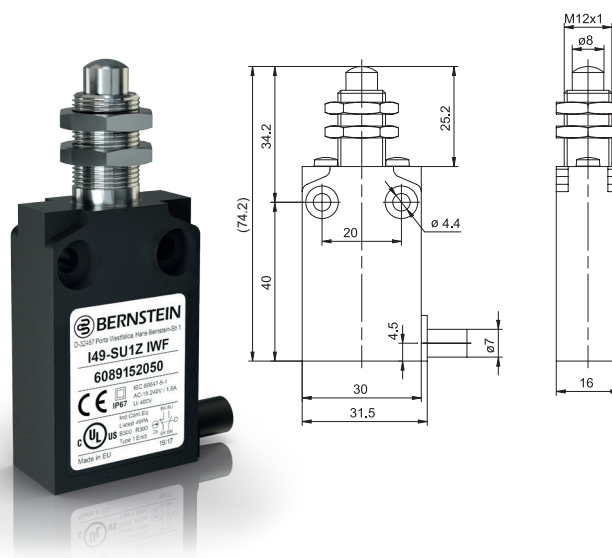
Ultra-flat, extremely flexible, easy to install, with an IP 67 protection class

Where space is restricted and high ingress protection is required most position switches are flawed. This does not apply to the new I49 switches from BERNSTEIN. With very slim dimensions and overall IP 67 protection they are a perfect solution for either position indication or safety applications.

Metal plunger



Metal plunger with front mounting



Application areas

I49 mechanical position switches are used to signal specific occurrences, usually associated with the completion of a step in a process. The automation industry uses this system to trigger a new work process or signal. Actuating a switch mechanically allows information to be sent to a machine or installation. This may be a safety function so that the machine stops automatically. These products can be used across all industries and environments.

The position switches have an IP 67 protection class allowing them to be installed in rough conditions.

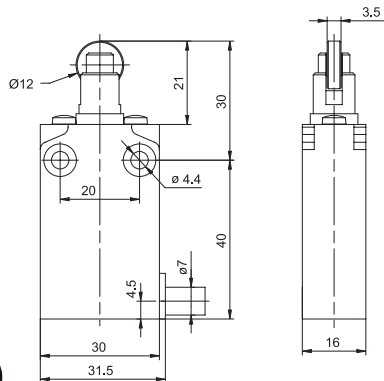
All position switches in the I49 series have positively driven NC contacts according to IEC 60947-5-1.

The I49 is a type 1 switch according to ISO 14119. With a suitable system layout, the switch can be used up to performance level e.

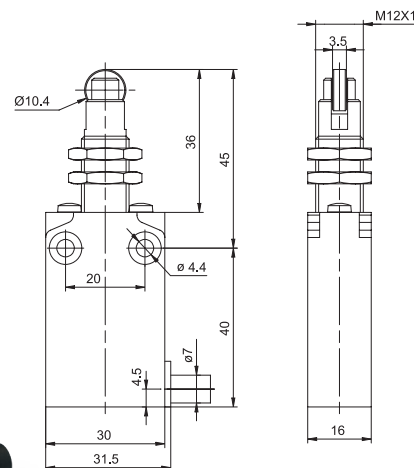
Advantages of the I49

- Ultra-flat design
- Highly flexible deployment
- Reliability
- Simple and quick installation

Metal roller plunger



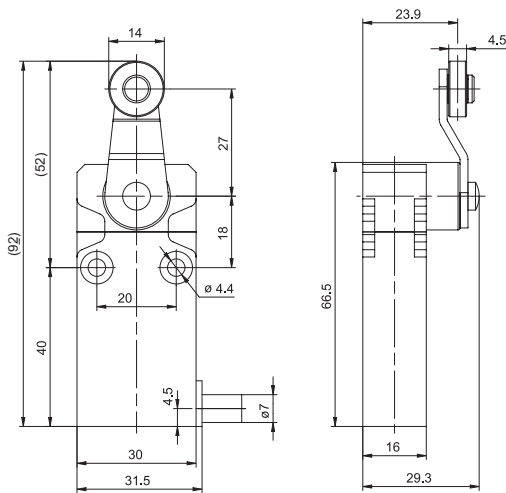
Nylon roller plunger with front mounting



Order data

Article number	Designation	Actuator	Contact type	Switching operation	Features
6089152048	I49-SU1Z IW	Metal plunger	1NC / 1NO	Snap action	
6089102049	I49-U1Z IW	Metal plunger	1NC / 1NO	Slow action	
6089152050	I49-SU1Z IWF	Metal plunger	1NC / 1NO	Snap action	Front mounting
6089102051	I49-U1Z IWF	Metal plunger	1NC / 1NO	Slow action	Front mounting
6089167052	I49-SU1Z RIW	Metal roller plunger	1NC / 1NO	Snap action	
6089117053	I49-U1Z RIW	Metal roller plunger	1NC / 1NO	Slow action	
6089167054	I49-SU1Z RIWF	Nylon roller plunger	1NC / 1NO	Snap action	Front mounting
6089117055	I49-U1Z RIWF	Nylon roller plunger	1NC / 1NO	Slow action	Front mounting
6089185056	I49-SU1Z AH	Nylon roller lever	1NC / 1NO	Snap action	
6089135057	I49-U1Z AH	Nylon roller lever	1NC / 1NO	Slow action	
6089152058	I49-SU1Z IW Z	Metal plunger	1NC / 1NO	Snap action	Vertical cable outlet
6089102059	I49-U1Z IW Z	Metal plunger	1NC / 1NO	Slow action	Vertical cable outlet
6089152062	I49-SU1Z IWF Z	Metal plunger	1NC / 1NO	Snap action	Front mounting / Vertical cable outlet
6089102063	I49-U1Z IWF Z	Metal plunger	1NC / 1NO	Snap action	Front mounting / Vertical cable outlet
6089167060	I49-SU1Z RIW Z	Metal roller plunger	1NC / 1NO	Snap action	Vertical cable outlet
6089117061	I49-U1Z RIW Z	Metal roller plunger	1NC / 1NO	Slow action	Vertical cable outlet
6089167064	I49-SU1Z RIWF Z	Nylon roller plunger	1NC / 1NO	Snap action	Front mounting / Vertical cable outlet
6089117065	I49-U1Z RIWF Z	Nylon roller plunger	1NC / 1NO	Slow action	Front mounting / Vertical cable outlet
6089185066	I49-SU1Z AH Z	Nylon roller lever	1NC / 1NO	Snap action	Vertical cable outlet
6089135067	I49-U1Z AH Z	Nylon roller lever	1NC / 1NO	Slow action	Vertical cable outlet

Nylon roller lever



Technical Data

- Rated operating voltage U_e : 240 V
- Rated insulation voltage U_i : 400 V AC
- Conv. thermal current I_{the} : 10 A
- Utilisation category / switching capacity:
AC-15; 24 V / 10 A ; 240 V / 3 A
DC-13; 24 V / 2,8 A ; 125 V / 0,22 A ; 250 V / 0,27 A
- Switching frequency max.: ≤ 60 /min.
- Mechanical service life: 10×10^6 switching cycles
- Admissible ambient temperature: $-25 \text{ }^\circ\text{C}$ to $+70 \text{ }^\circ\text{C}$
- Protection class: IP 67 in accordance with IEC/EN 60529

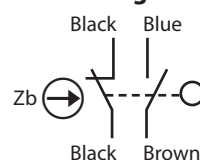
- Enclosure: prewired, double insulation, plastic, in 30 mm width

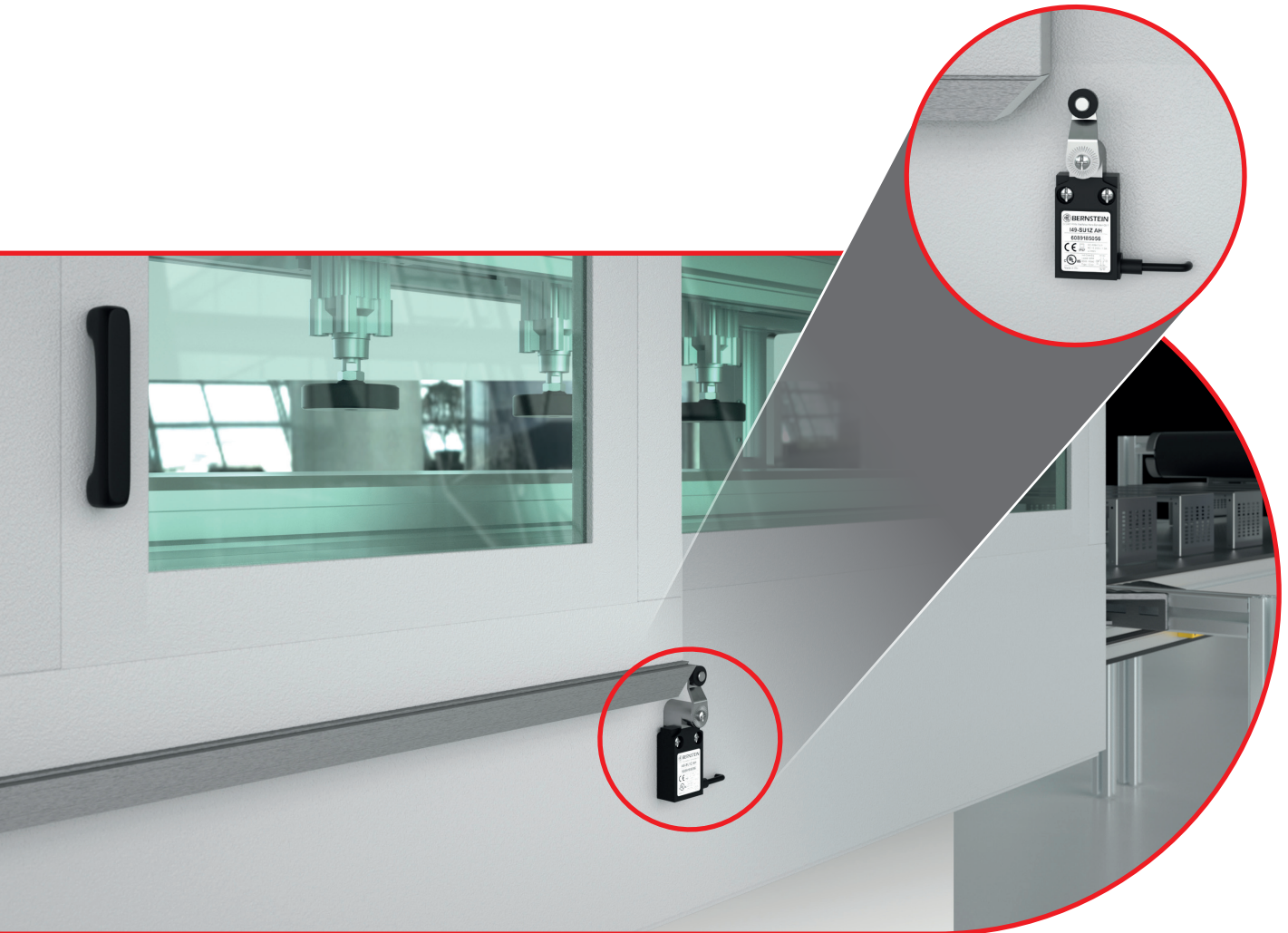
- Connection: 1 m UL-cable

- Protection class: \square

- Approval: 

Wire assignment





Application examples

- Monitoring of safety gates, hatches or protective hoods
- Position monitoring of moving parts
- Object detection in conveying technology
- End position control of components
- Position monitoring on rolling doors
- Monitoring of sliding doors



**Switch systems –
Economy meets safety**



**Sensor systems –
Compact intelligence**



**Enclosure systems –
Function and design**

www.bernstein.eu

Contact

**International Headquarters
BERNSTEIN AG**
Hans-Bernstein-Str. 1
32457 Porta Westfalica
Fon +49 571 793-0
Fax +49 571 793-555
info@de.bernstein.eu
www.bernstein.eu

**Denmark
BERNSTEIN A/S**
Fon +45 7020 0522
Fax +45 7020 0177
info@dk.bernstein.eu

**France
BERNSTEIN S.A.R.L.**
Fon +33 1 64 66 32 50
Fax +33 1 64 66 10 02
info@fr.bernstein.eu

**Italy
BERNSTEIN S.r.l.**
Fon +39 035 4549037
Fax +39 035 4549647
info@it.bernstein.eu

**United Kingdom
BERNSTEIN Ltd**
Fon +44 1922 744999
Fax +44 1922 457555
info@uk.bernstein.eu

**Austria
BERNSTEIN GmbH**
Fon +43 2256 62070-0
Fax +43 2256 62618
info@at.bernstein.eu

**Switzerland
BERNSTEIN (Schweiz) AG**
Fon +41 44 775 71-71
Fax +41 44 775 71-72
info@ch.bernstein.eu

**Hungary
BERNSTEIN Kft.**
Fon +36 1 4342295
Fax +36 1 4342299
info@hu.bernstein.eu

**China
BERNSTEIN Safe Solutions
(Taicang) Co., Ltd.**
Fon +86 512 81608180
Fax +86 512 81608181
info@bernstein-safesolutions.cn